

LED Spot Light III



High Efficiency	LED	IP20	F
			IP54
			50,000 HOURS
			CE
			RoHS

FEATURES

Housing

Die casting aluminum, powder-coated, designed as heat sink. The heat dissipation housing, with optimized heat dissipation structure, which facilitate the heat exchange quickly from aluminum alloy casting die housing to the air.

Lens System (Diffuser)

Made of optical polycarbonate
The special "PMMA diffuser" designed enable the fixture to constantly emit the smooth light, making the room look extraordinarily bright and comfortable up from the ceiling down to the floor.

Applications:



LED

Medium high-power LED 2835 SMD on (PCB) with high Lumen output efficacy with expected life 50,000 hours.

Control Gear

CE certified driver PF> 0.95
Working Temperature (-10 to 50°)
with expected life over 50,000 hours and 100% Dimmable option.

ELECTRICAL DATA

Operating Mode	: ECG
Nominal Wattage	: 7W
Connected Load	: 7W
Nominal Voltage	: 220 - 240v
Supply Voltage	: 220 - 240v
Mine Frequency	: 50 - 60 Hz

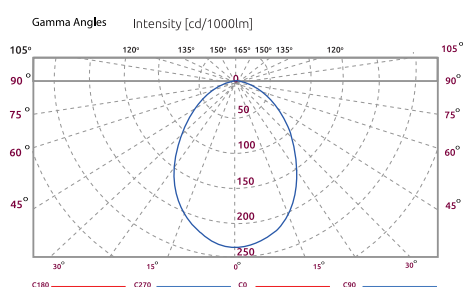
PHOTOMETRIC DATA

Color Temperature	: 3000 - 4000 - 5000 - 5700K
Luminous Flux	: 700 lm
CRI	: ≥80

LIGHT TECHNICAL DATA

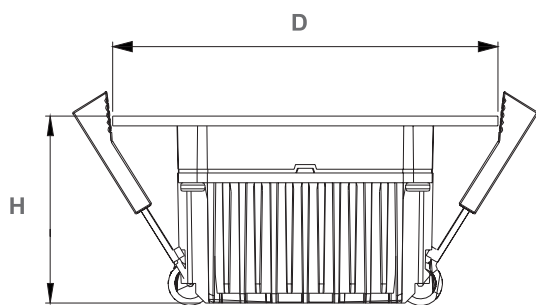
Photometric Graph

7W



Beam angle	90°
Light distribution	rotationally symmetric

DIMENSIONS



Type of Product	D	H
7W	80	39

All dimensions in mm
All dimension tolerance is ±0.5mm unless otherwise noted.

Power (W)

Lumen (lm)

Ingress Protection (IP)

Color Temperature (K)

7W
8W

750-1000lm
850-1100lm

IP20, IP44

2700-5000K

COLOR

CCT

CODE

Cold White

5000:7000

CW

Natural White

4000:4500

NW

Warm White

2700:3200

WW

* CCT Code must be added to product No.
* Light efficiency depend on cct ± 10%